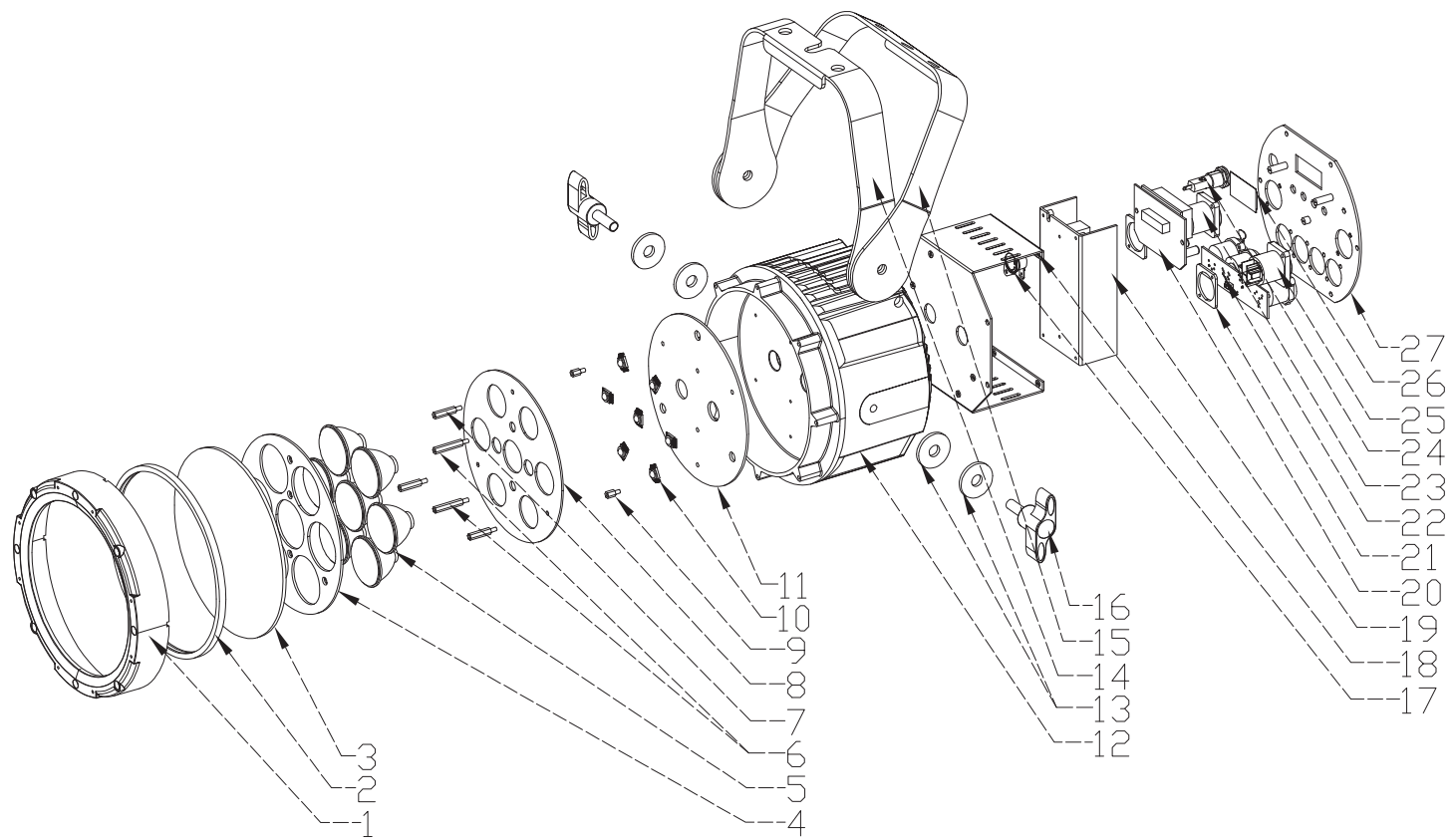


1 2 3 4 5 6 7 8 9

A
B
C
D
E
F
G
H
I



SN.	DRAFT NO.	ITEM NO.	QTY	REMARK
1	LA3139-02	front cover	1	
2	LA3139-08	waterproof silicone rope	1	
3	LA3139-07	toughened glass	1	
4	LA3158-28A-04	fixing panel for lens	1	
5	LA-WG-001	lens	7	
6	LA-WG-002	copper pillar	2	
7	LA3155-02	copper pillar2 (long one)	3	
8	LA3152-01C	driver PCB	1	
9	LA3155-01	copper pillar 1 (short one)	3	
10	TX-BGRWPY10B120-001	LED	7	
11	LA3152-03D	LED PCB	1	
12	LA3139-01	light housing	1	
13	LA-WG-003	φ30×φ10×3 rubber washer	4	
14	LA3158-28A-02	bracket A	1	
15	LA3158-28A-03	bracket B	1	
16	LA3155-28A-03	"S"knob (M8×25)	2	
17	LA-WG-005	temp. control switch	1	
18	LA3155-28A-02	fixing plate for spare part	1	
19	K26H-UP150S36	power supply	1	
20	LA1119A-02F	display PCB	1	
21	LA3401-10	pressing plate	2	
22	LADMX-08A	3P+5P XLR in/out sockets	1	
23	LA-WG-006	power out	1	
24	LA-WG-007	fuse holder	1	
25	LA-WG-008	power in	1	
26	LA1114-12	front PC for display	1	
27	LA3155-28A-01	panel	1	
28				
29				
30				
31				
32				