

ELAR 108 PAR RGBW™

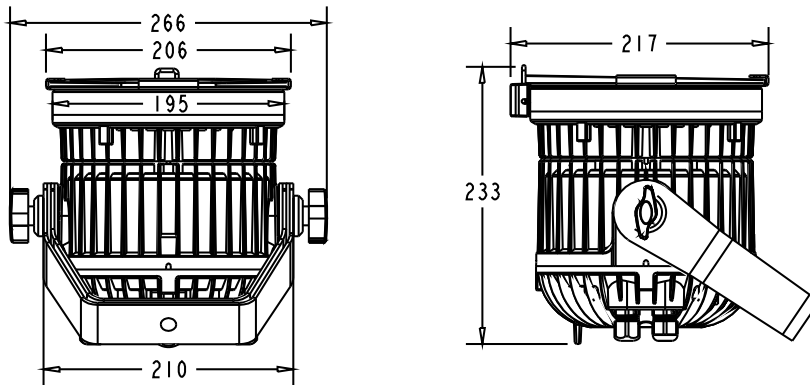
SKU# EAR493



Dimensional Drawings

Specifications are subject to change without any prior written notice.

Weight: 15.2 lbs. (6.9kg)



ELATION ELAR 108 PAR RGBW [2016-05-10]

©ELATION PROFESSIONAL all rights reserved.

Information contained within this drawing is proprietary and confidential.

Any reproduction and/or distribution of any part of this drawing without the written consent by Elation Professional is strictly prohibited. Diagrams and/or measurements herein subject to change without notice

Elation Professional USA | 6122 S. Eastern Ave. | Los Angeles, CA. 90040
323-582-3322 | 323-832-9142 fax | www.elationlighting.com | info@elationlighting.com

Elation Professional B.V. | Junostraat 2 | 6468 EW Kerkrade, The Netherlands
+31 45 546 85 66 | +31 45 546 85 96 fax | www.elationlighting.eu | info@elationlighting.eu