



# **W-101 Bubble Machine User Manual**



Please read and save these instructions.  
Antari Lighting and Effects Ltd.





# User Manual

## W-101 Bubble Machine

Congratulations on the purchase of your new  
ANTARI W-Series bubble MACHINE.

### Introduction

Thank you for choosing an ANTARI W-Series Bubble Machine. You now own a rugged and powerful state-of-the-art bubble machine. Prior to use, we suggest that you carefully read all of the instructions. By following the suggestions found in this user manual, you can look forward to the reliable and satisfactory performance of your ANTARI Bubble Machine for years to come.

Please follow these operation, safety and maintenance instructions to ensure a long and safe life for your Antari bubble machine.



#### **CAUTION:**

Risk of electric shock. Disconnect the appliance from the electric supply before refilling liquid, cleaning or performing maintenance on the machine.

**Pay attention to all warning labels and instructions printed on the exterior of your Antari W-101 Bubble Machine**

- Do not overfill your bubble machine. Overfilling will cause the unit to leak.



**Danger of Electric Shock**

- Keep this device dry.
- Keep the bubble machine upright.
- For the 110V models, use 3-prong grounded electrical outlet only. Prior to use take care to determine that the unit is installed at the rated voltage.
- Turn off or unplug when not in use.
- The power plug needs to be clearly seen by user when installed on the wall.
- This machine is not water-proof or splash-proof. If moisture, water, or any liquid gets inside the housing, immediately unplug the unit and contact a service technician or your dealer before using it again.
- No user serviceable parts inside. Refer to your Antari dealer or other qualified service personnel.

- For indoor use only. Not designed for outdoor use.
- This appliance must be earthed.
- For adult use only. The bubble machine must be installed out of the reach of children. Never leave the unit running unattended.
- Never aim the output at open flames.
- Extended use will make all surfaces slippery. Please kindly pay attention.
- Position output of bubbles away from people.
- Switch off from mains when refilling the liquid or cleaning the system.
- Regular cleaning of the bubble wheel is required.
- Do not transport with liquid. If the machine get wet, do not use until it is completely dry.
- Antari bubble liquid may leave permanent marks on clothing.

## Unpacking & Inspection

Open the shipping carton and check that all equipments necessary to operate the system have arrived intact. You should receive the following items:

1. One unit of W-101 Bubble machine
  2. One set of W-1 transmitter
  3. User manual.
  4. Power cord and plug.
  5. Hanging bracket set (with washers and screws)
- Before beginning initial setup of your Antari W-510 Bubble Machine, make sure that there is no evident damage caused by transportation.
  - In the event that the unit's housing or cable is damaged, do not plug it in and do not attempt to use it until after contacting your dealer for assistance.

## Setup

- Remove all packing materials from the bubble machine.
- Place bubble machine on a flat surface.
- Loosen the side screws and lift the housing upwards. You will see a liquid tank.
- Pour bubble liquid into the liquid tank, being careful not to exceed the maximum fluid level. DO NOT OVERFILL.
- It is recommended to use Antari BL- Bubble liquid for best performance.
- When the container is 3/4 full, lower the housing and tighten the screws.

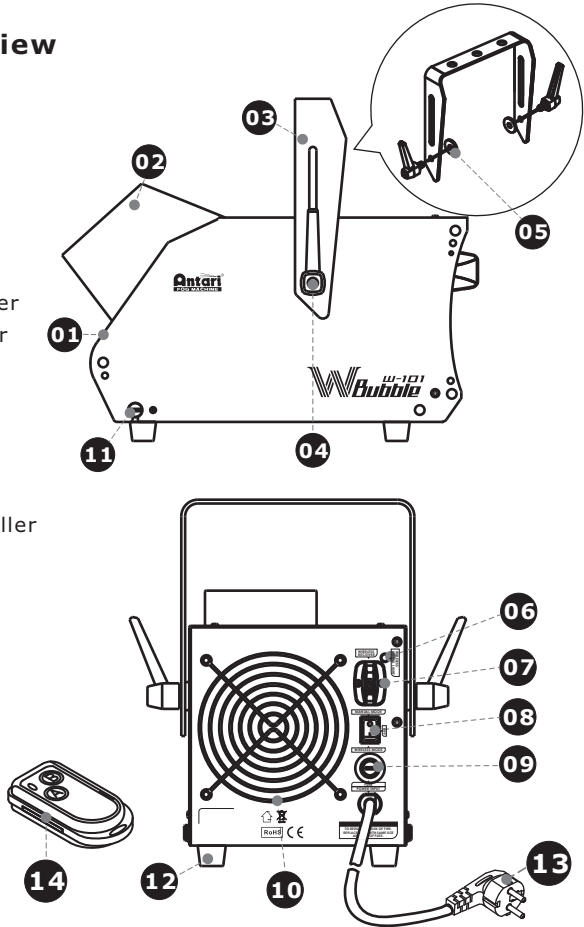
### Important:

- Always monitor tank fluid level as you are operating.
- Never drink Bubble liquid. If it is ingested, call a doctor immediately. If the bubble liquid comes in contact with skin or eyes, rinse thoroughly with water.
- Always replace the caps on the fog liquid container immediately after filling to avoid contamination.

**W-101 Hanging Bracket:** Your model includes a mounting bracket designed for overhead installation; it may be installed at floor level or suspended overhead. If the unit is to be mounted using the bracket, it is important that the fog does not shoot directly at any one's face. Whatever installation method you choose, do not allow the unit to have more than a 25 degree angle of inclination.

### W-101 External View

- 01. Body
- 02. Spout
- 03. Yoke
- 04. Tightening screw
- 05. Washer
- 06. Pilot lamp
- 07. W-1 Wireless receiver
- 08. Rocker switch/Power
- 09. Fuse holder
- 10. Fan
- 11. Screw lock
- 12. Foot
- 13. Power cord
- 14. W-1 Wireless controller

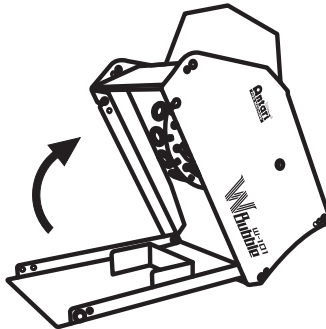


#### IMPORTANT SAFETY NOTICE:

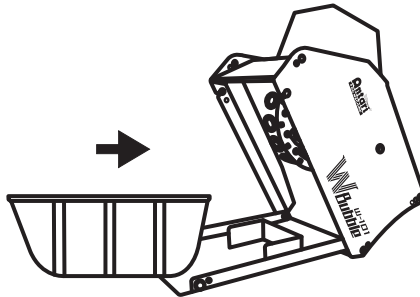
Ensure your bubble machine is unplugged from the mains electrical supply before attempting to open the housing.



To help avoid accidental exposure to dangerous live AC mains voltage, two safety screws are fitted that require a screwdriver to remove. Once these are removed, the finger screws can be undone by hand (see photo above).



Once the screws are removed, the lid of the housing can be carefully swung upwards, as shown above. Take care not to spill any of the bubble fluid inside the unit.



The fluid tank is designed to fit only one way around. Make sure you insert it correctly, as shown above, with the lower edge facing into the machine.

## OPERATION

Turn on the power switch located on the back of the W-101 bubble machine. You will notice that the internal bubble drum and fan are activated. Bubbles are now produced.

Please now refer below of "Instructions of Antari Wireless Remote for W-101" for setting for the remote controller command.

#### INSTRUCTION OF ANTARI WIRELESS REMOTE FOR W-101

##### \* **Transmitter:**

- Transmitter: Use DC 12V battery
- Working Distance: 50 meters in open area (wireless distance may vary depending on the interference)
- All transmitters are compatible to any receiver



##### \* **Receiver:**

- The receiver is pre-equipped firmly and tested to each of the W-101 (rear panel), please do not try to remove it.



##### \* **Functions and Setting:**

1. All receivers can receive signals from any registered transmitter.
2. Each receiver is able to record at most 5 signals from the transmitter.
3. The included transmitter has been registered before shipment. User can operate it directly without any start-up setting. The initial setting is pressing button "A" which triggers the machine and pressing button "B" can stop the fogging.
4. If user desires to use other transmitters (except the included one in the

shipment) to control machine, the setting must be completed within 15 seconds after switching on the machine otherwise it will leave "transmitter setting mode" automatically.

### Setting Example :

There is a LED light on the rear control panel of the machine. When the machine is turned on, the LED green light will flash for 15 seconds. During the 15 seconds interval, users can register signals for the transmitters. If the registering signal of transmitter is well-received by the receiver, the LED light will stop flashing and fixed green light will appear. If user desires to use 1 transmitter to control 2 or more machines at the same time, user has to turn on 2 (or more) machines altogether, and press the button "A" of the transmitter within 15 seconds to set the signals.

5. If no any other new transmitter is registered when machine is switched on, the memory of the receiver will remain the same record of the last operation.
6. Please note if a new transmitter is registered when machine is switched on, no matter how many new transmitters is registered (at most 5), all previous transmitters registered record will be cleared (overridden)

### Specifications

Power	AC 120V/90Hz (120V Model)
	AC 230V/50Hz (230V Model)
Fuse	F2A/250V (120V Model)
	T1A/250V (230V Model)
Dimensions(mm)	241x170x172
Weight	Net 3.4kg. Gross 4.2kg
Function	On / Off only; no DMX
Remotes	Standard W-1 Wireless Controller
Optional Remotes	Not Available
Tank Capacity	1 Liter

Save these instructions



## Warranty

Warranty shall be valid only if the product is purchased from Antari's authorized distributors or dealers. For warranty service, send the product only to an authorized distributor or dealer.

All warranties are void if the product has been modified in any manner; if the product has been repaired or serviced by unauthorized personnel; or the product is damaged due to improper use or maintenance as set forth in the instruction manual.

This is not a service contract and does not include standard maintenance or cleaning. All expendables are not covered by this warranty.

Additional warranties provided at the discretion of the distributor dealers shall remain the sole obligation of the distributor or dealer.

Always quote the unit's serial number and model name when contacting your distributor for information or assistance.





The logo features the word "Antari" in a bold, red, sans-serif font with a registered trademark symbol. Above the letter "i" are three red diagonal lines. Below "Antari" is a red rectangular bar containing the words "FOG MACHINE" in white, uppercase, sans-serif font.

# Antari<sup>®</sup>

FOG MACHINE

For current product information visit Antari at :  
[www.antari.com](http://www.antari.com), [www.antari.com.tw](http://www.antari.com.tw)  
For information requests please contact us at :  
[sales@antari.com](mailto:sales@antari.com)



C08W10100